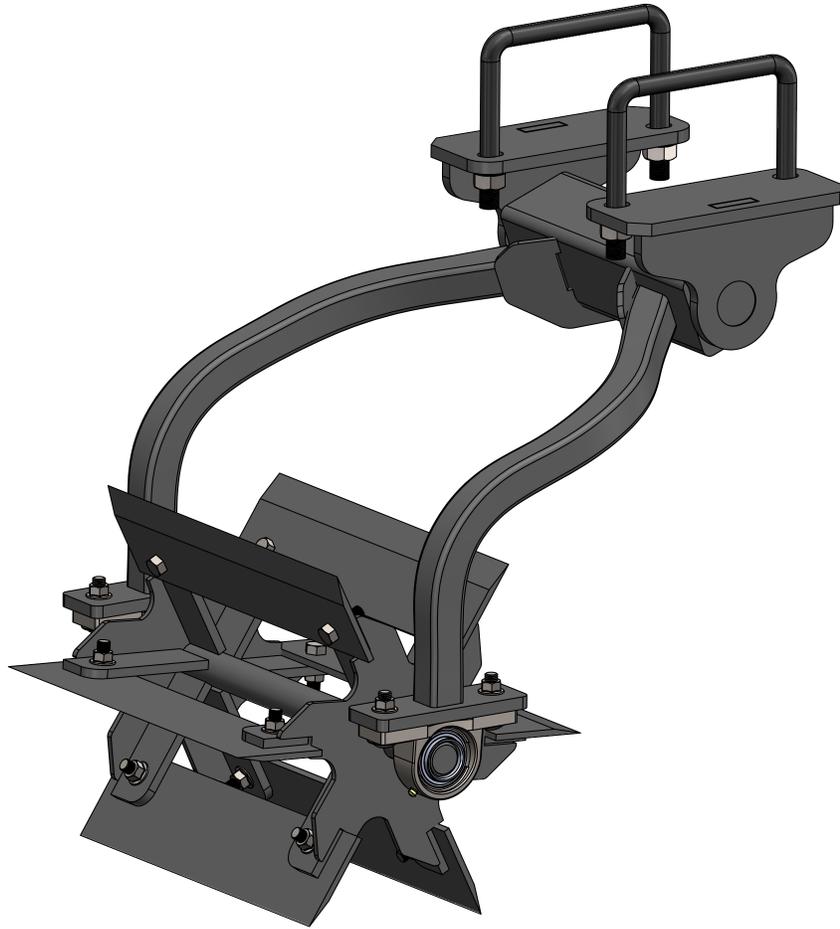
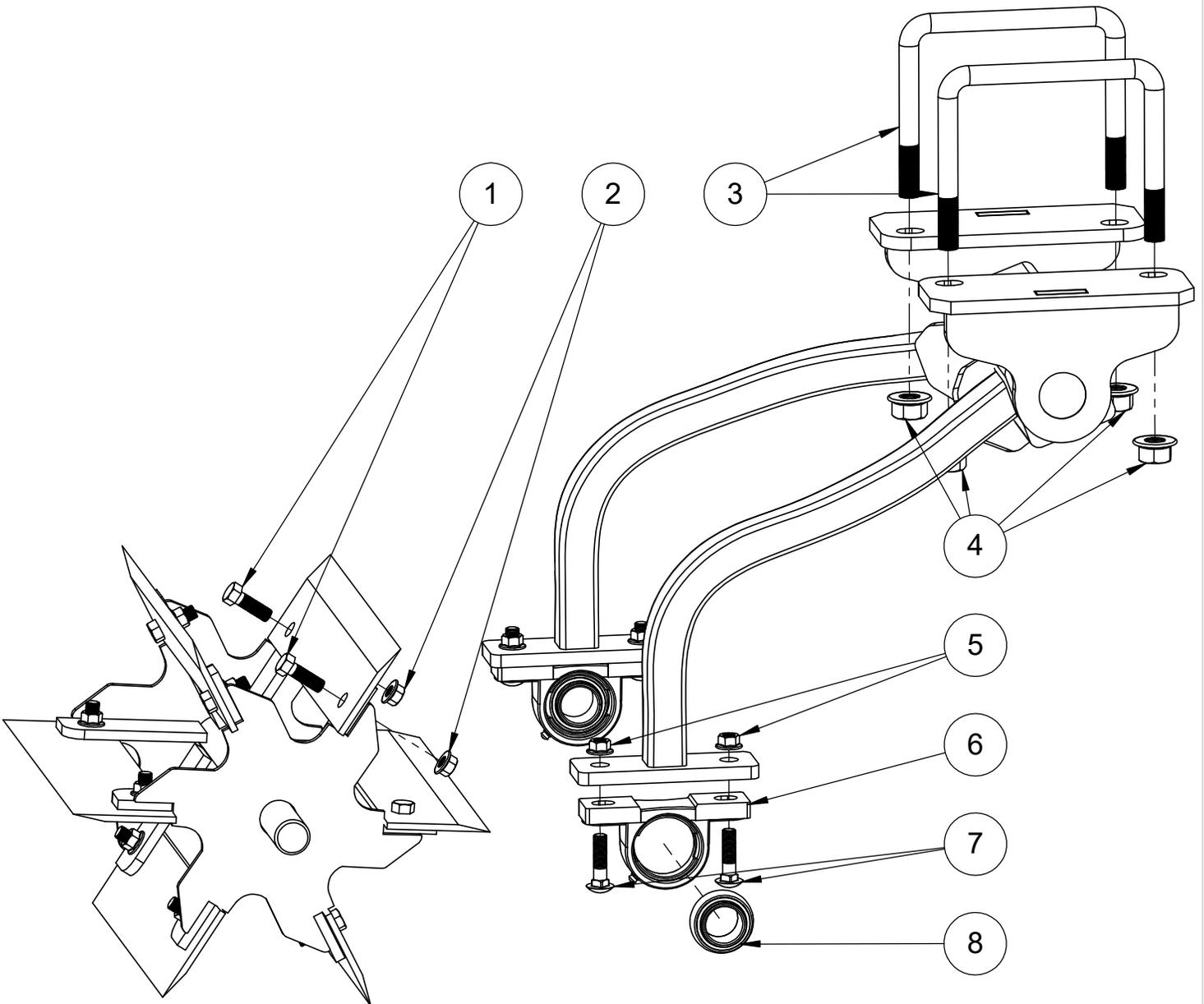


# OWNER AND PARTS MANUAL

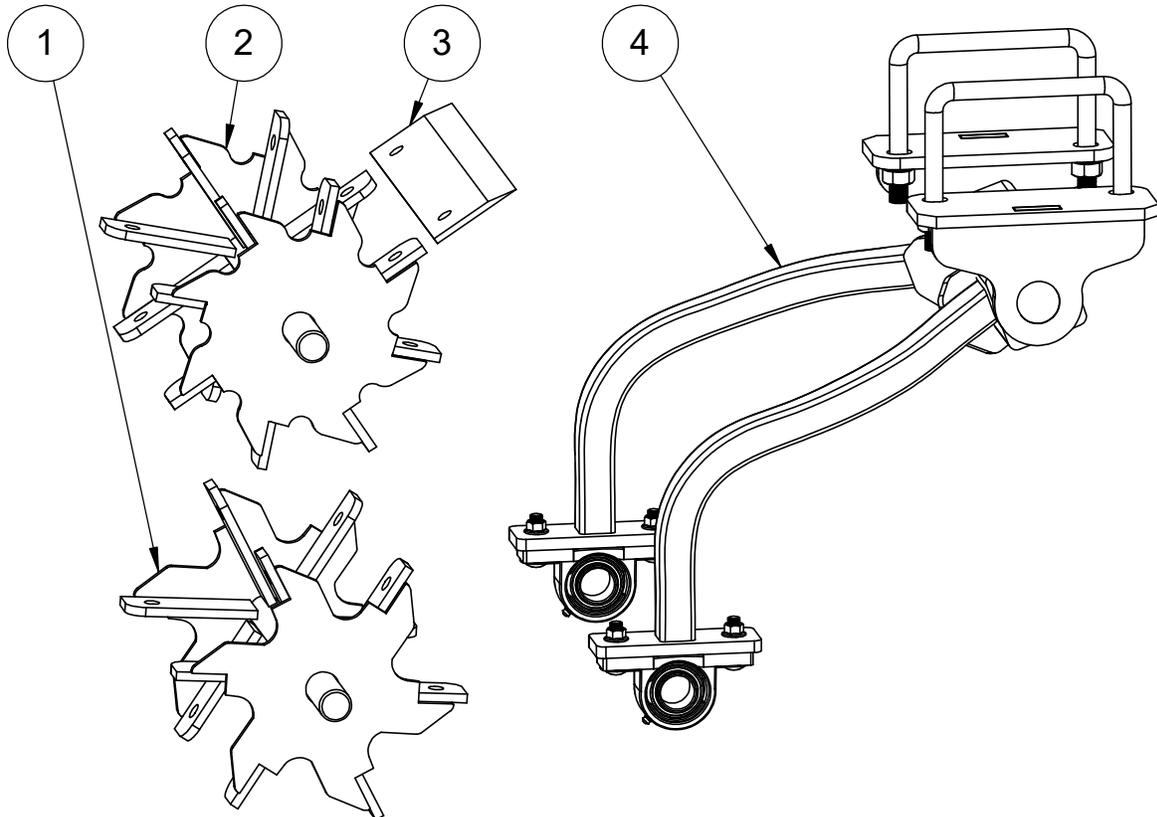


## **HEAVY DUTY** **Flexiride Stalkcutter Unit**

ITEM NO.	DESCRIPTION	PART NO.	QTY.
1	1/2" X 1-1/2" BOLT	11-G5C12112	6 BLADE - 12 8 BLADE - 16
2	1/2" STOVER LOCKNUT	11-LN12	6 BLADE - 12 8 BLADE - 16
3	U BOLT	SMUB7X7	2
4	3/4" FLANGED HEAD WHIZ NUT	11-WZN-34	4
5	1/2" FLANGED HEAD WHIZ NUT	11-WZN-12	4
6	PILLOW BLOCK HOUSING	09-AK207GSB	2
7	1/2" X 2" CARRIAGE BOLT	11-CR5122	4
8	NTN 1-3/8" RD. INSERT BEARING	09-NPS106RPC	2



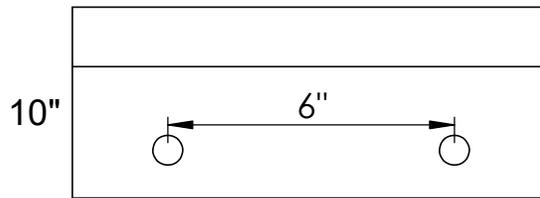
ITEM NO.	DESCRIPTION	WIDTH	PART NO.	QTY.
1	6 BLADE STAR	10" 12" 14" 16" 18" 20" 22" 24"	SMSC106B SMSC126B SMSC146B SMSC166B SMSC186B SMSC206B SMSC226B SMSC246B	1
2	8 BLADE STAR	10" 12" 14" 16" 18" 20" 22" 24"	SMSC108B SMSC128B SMSC148B SMSC168B SMSC188B SMSC208B SMSC228B SMSC248B	1
3	BLADE	10" 12" 14" 16" 18" 20" 22" 24"	SMSC10B SMSC12B SMSC14B SMSC16B SMSC18B SMSC20B SMSC22B SMSC24B	6 BLADE - 6 8 BLADE - 8
4	GANG	10" 12" 14" 16" 18" 20" 22" 24"	SMSC10G SMSC12G SMSC14G SMSC16G SMSC18G SMSC20G SMSC22G SMSC24G	1



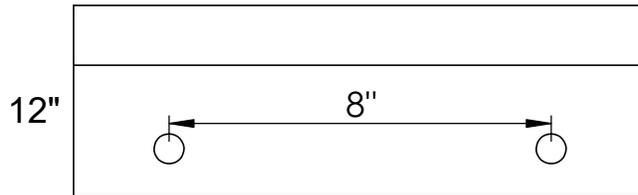
# STALKCUTTER BLADES

Holes made  
for 1/2" bolts

**Part No.**



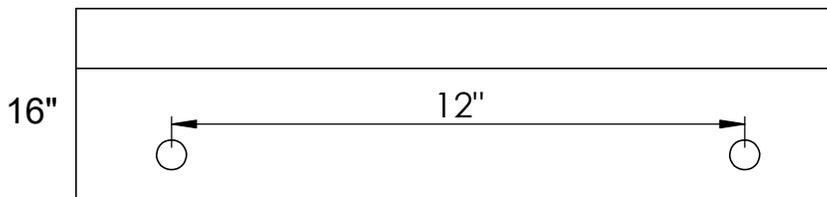
SMSC10B



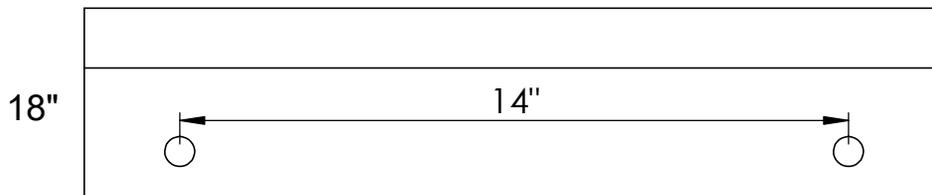
SMSC12B



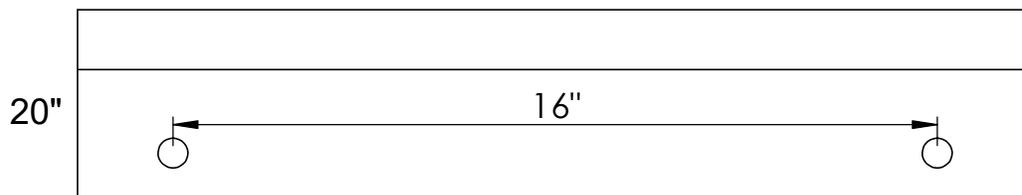
SMSC14B



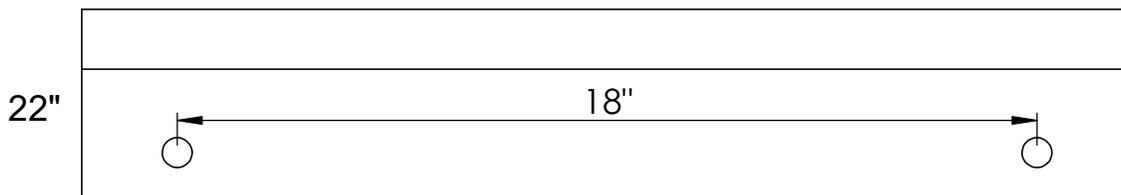
SMSC16B



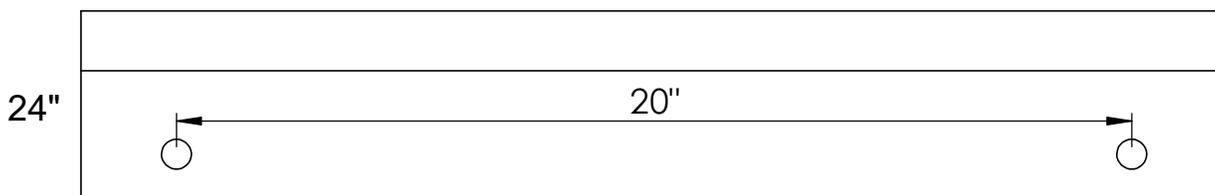
SMSC18B



SMSC20B



SMSC22B



SMSC24B